



International Combustion (India) Limited

MOGENSEN SIZER 2000

Intelligence in Screening



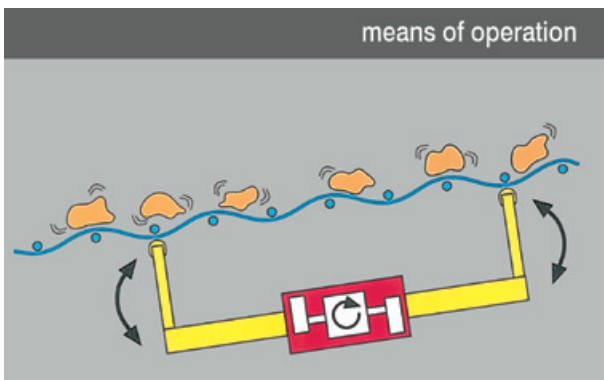
Manufactured under license from
MOGENSEN
Germany

Operating Principle and Features

The Sizer 2000 is a fine grain screening machine designed for a separation range of 0.1 to 5.0 mm, including difficult-to-screen materials.

The system comprises a maximum of three screen mats arranged one above the other and vibrated by the impact bars. The impact of beating keeps the screen mats free from sticky materials and also helps transport bulk materials. Each beater arrangement is driven by two Unbalance Motors. The Unbalance Motors generate an oscillating motion in the beater shaft and the screen mat is vibrated from the bottom.

The impact of beating at very high acceleration results in rapid stratification of the material bed and screening of the fines. This also prevents blinding of screen mats while handling sticky material and ensures optimum screening operation.



As part of standard supply, the machine is provided with a frequency converter in order to adjust the required beating frequency for a particular application.

The screening machine is absolutely flexible and can be adjusted to suit the feed material whereby accelerating forces can reach upto 20g.



Type NE with stainless steel feed and discharge chutes

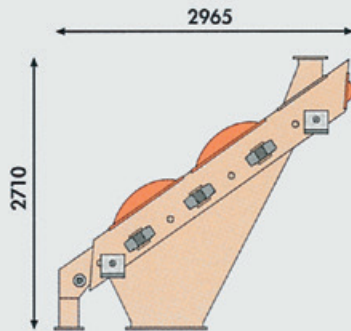
The screen frame itself remains almost static, thereby avoiding transmission of dynamic forces to the support structure. The machine is provided with dust covers, requiring minimum suction air for dedusting.

The Sizer 2000 is conceived in such a fashion that it is absolutely maintenance friendly. The power required for each Unbalance Motor is 0.19 KW, for example, the total power requirement of a double deck screening machine of size 1500 x 4800 is only 4.56 KW.

The Sizer 2000 combines high material throughput, minimum power consumption and substantial price economy.

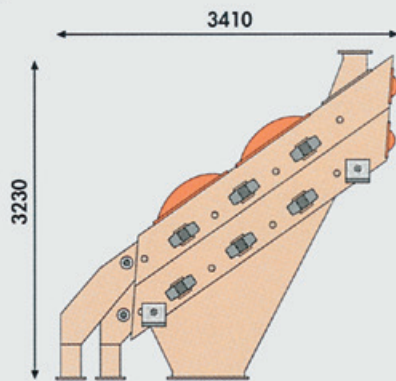
Model Variety

Type NE



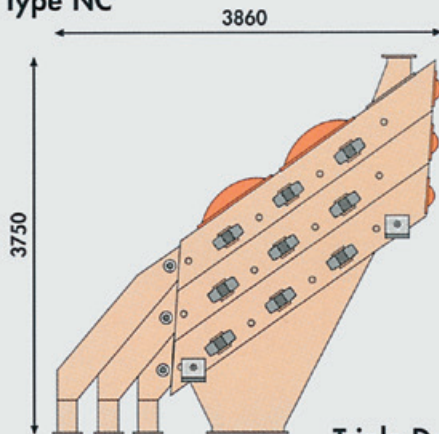
Single Decker

Type ND



Double Decker

Type NC



Triple Decker

Available in screen lengths of literally 2.4 to 4.8.

Easy to Maintain

The conceptual design of the Sizer 2000 is very “low maintenance”. Large inspection openings enable easy exchange of the screen mats and a surveillance of the screening process.

Options

Various proven options, like screen heating, screen break surveillance, stainless-steel constructions, interior heating, etc. are available from the established SIZER technique.

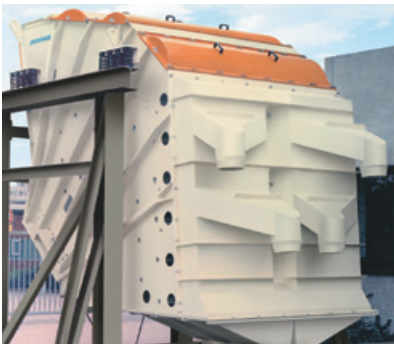


Examples of Application

Sizer Type	Material	Feed Rate t/h	Fraction 1	Fraction 2	Fraction 3	Fraction 4
NE 1524	Anode remains	28	0 - 0.5	0.5 - 3.5		
NE 1524	Cool	20	0 - 0.4	0.4 - 3.0		
NC 1524	Dolomite	17.5	0 - 0.3	0.3 - 0.5	0.5 - 0.9	0.9 - X
ND 1524	Fine salt	30	0 - 0.2	0.15 - X		
NE 1024	Gypsum	35	0 - 1.5	15.5 - X		
NE 2024	Kaolin	9	0 - 0.25	0.25 - X		
NE 1548	Sand	30	0 - 1.0	1.0 - X		
NE 2548 (H)	Sand	50	0 - 1.0	1.0 - X		
NC 1024	Limestone	15	0 - 0.2	0.2 - 0.6	0.6 - 2.0	2.0 - X
ND 1024	Limestone	12	0 - 0.5	0.5 - 4.0		
NE 1548	NPK/Urea	200	0 - 4.0	4.0 - X		
NC 2548	Potash	75	0 - 0.25	0.25 - 2.0	2.0 - X	
NC 1024	Quartz sand	8.5	0 - 0.1	0.1 - 0.3	0.3 - X	
NC 2524	Rack salt	50	0 - 1.12	1.12 - 2.0	2.0 - 10.0	
NC 1524	Salt resin	22.5	0 - 0.25	0.25 - X		
ND 1024	Sand	20	0 - 0.26	0.26 - X		
NE 1024	Scrap metal	10	0 - 1.5	1.5 - X		
ND 2530	Shell limestone	165	0 0.6	0.6 - 1.2		

NE = Single Decker - ND = Double Decker - NC = Triple Decker - (H) = Screen Deck Heating

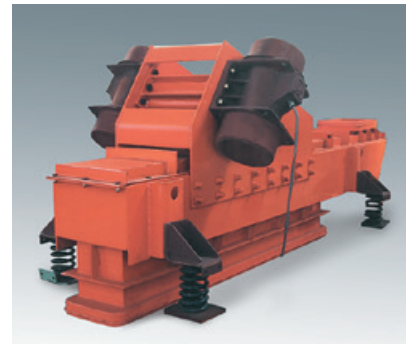
The Mogensen range of products



Mogensen Sizer



Mogensen Vibro Bar Sizer



Spreader Feeder



International Combustion (India) Limited

INFINITY BENCHMARK, 11th Floor, Plot-G1, Block-EP & GP, Sector - V, Salt Lake Electronics Complex, Kolkata - 700 091
Ph: (033) 3315 3000, Fax : (033) 2357 6653, e-mail: info@internationalcombustion.in, Website: www.internationalcombustion.in