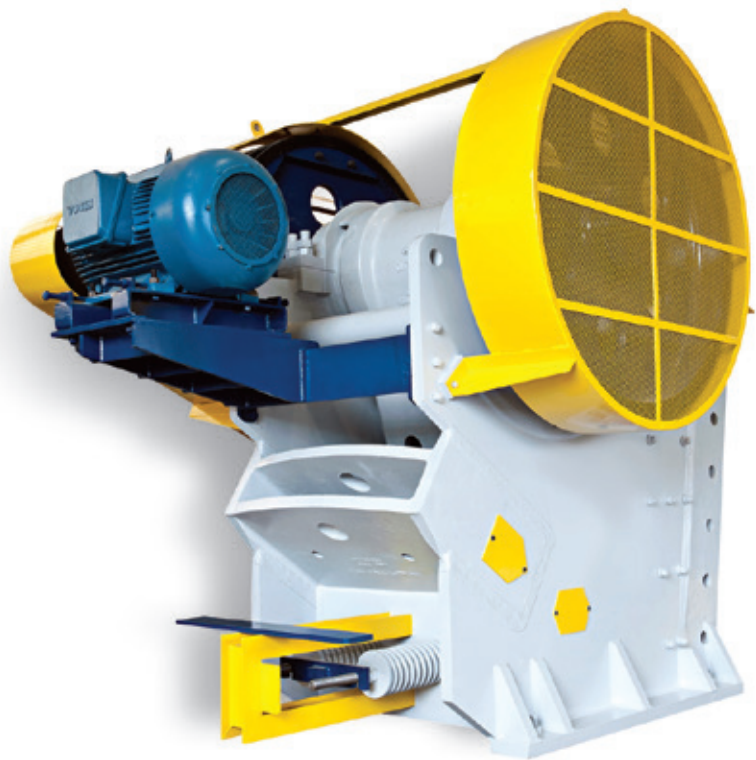




# International Combustion (India) Limited

## JAW CRUSHER TYPE OM

To crush large feed sizes with maximum reduction ratio



Manufactured under license from  
Omni Crushing & Screening Ltda,  
Brazil



1

### Description

OM single toggle jaw crusher line represents the pinnacle of jaw crusher development. These modern and robust machines are engineered with state-of-art technology using 3D modelling and incorporating many innovative features.

The design & manufacture ensure maximum production and efficiency, as well as a significant reduction in operating costs and maintenance.

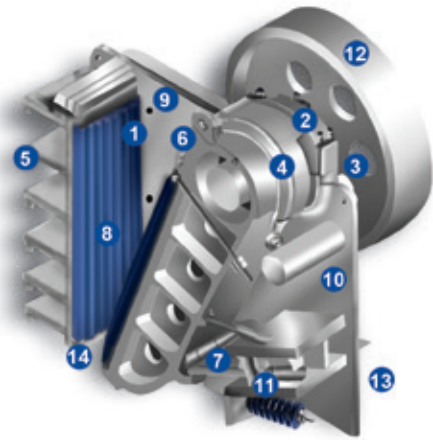
The crusher frames are manufactured using highest quality steels - sure to provide unrivalled durability. The crusher body is manufactured in ASTM-A36, electrically welded and stress relieved by heat treatment.



The balance high inertia flywheels are cast steel - one plain and one grooved for 'V' belts. The crushing chambers are symmetrical with identical manganese steel fixed and swing jaw plates to minimise inventory - both plates are also reversible end-on-end to minimise waste.

## Main Features

1. Symmetrical crushing chamber
2. Split bearing housing.
3. Ringfeder securing flywheels to shaft
4. Extreme duty oversized bearings and shaft.
5. Fully enclosed profile for maximum strength.
6. Rugged pitman/shaft/protection plate.
7. Dry type toggle plate/seat.
8. Reversible and interchangeable Jaw Plates.
9. Interchangeable side liners.
10. Cast housings welded to steel body, remote from rounded corners to prevent cracking.
11. Crusher setting by wedges (manual or hydraulic).
12. Cast steel flywheels (one plain, one grooved).
13. Drive motor mounted on crusher body.
14. Replaceable bolted jaw supports.



## 2 Technical Characteristics

Model	Opening Size (mm)	Machine RPM	Motor Power (HP)
OM 9070	900 X 700	270	100
OM 10080	1000 X 800	240	150
OM 11090	1100 X 900	240	200
OM 12080	1200 X 800	240	175
OM 125100	1250 X 1000	220	200
OM 140120	1400 X 1200	220	250

## 3 Ultimate Reliability

IC Jaw Crushers are equipped with a heavy-duty designed structure built to withstand the most arduous duties and extreme rock types for extreme mining and quarrying duties. All cast parts are manufactured from ASTM A216 steel that, combined with steel side plates, Jaw and liners of high manganese content, heavy-duty eccentric shaft and four identical super size bearings, results in superior durability and reliability. The absence of stress inducers created by welding lines, due to the high strength one piece side plate design, guarantees resistance to fatigue and ensures longevity. Any welded joints are distant from stress points and corners rounded to eliminate fatigue cracking.

## 4 Average Production in Ton/hr

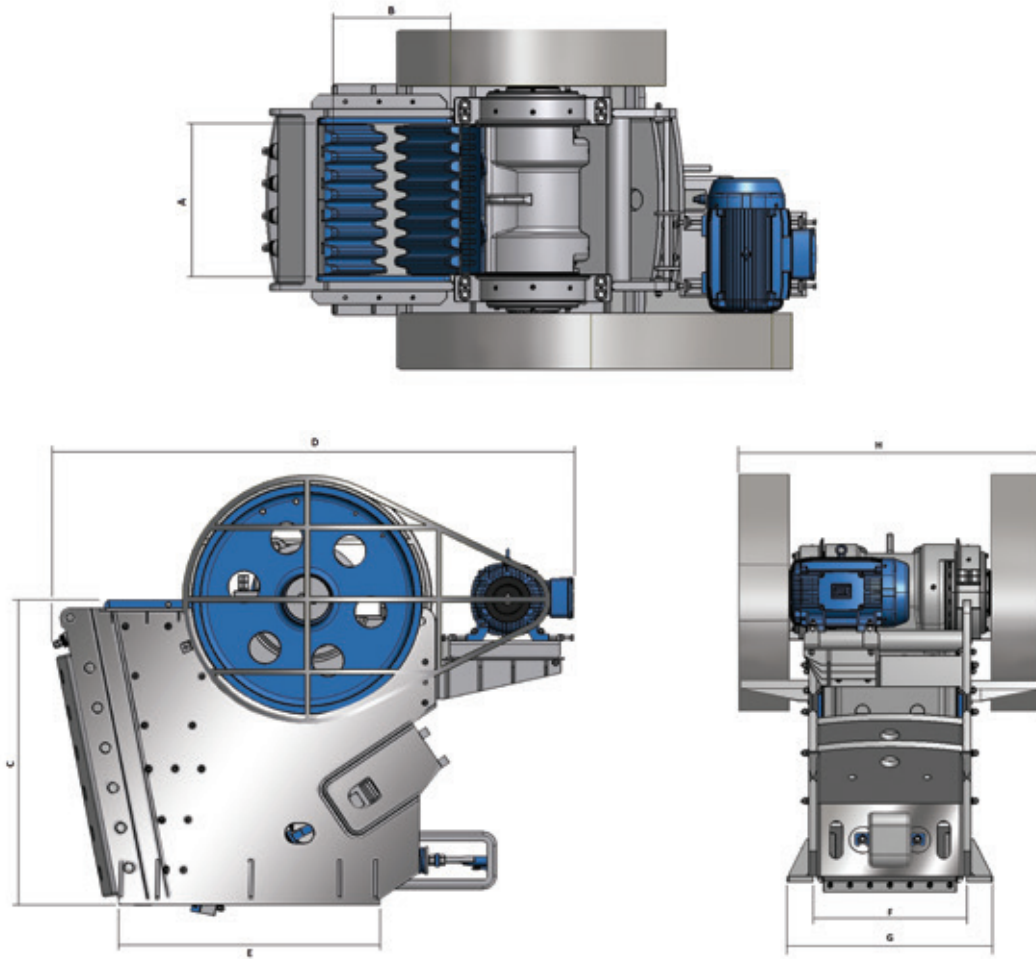
Model	Estimated Capacity for "CSS" (mm)									
	75	100	125	150	175	200	225	250	275	300
OM 9070	95-150	115-180	140-210	160-250	180-285	210-310				
OM 10080	135-175	175-235	220-290	265-350	305-400	345-450	385-500			
OM 11090	165-220	220-290	270-355	325-430	385-505	445-580	495-650	550-720	605-790	
OM 12080	150-200	200-265	245-325	295-390	340-445	385-505	430-565	495-640		
OM 125100		245-335	295-400	345-475	395-545	465-615	505-685	570-755	620-810	
OM 140120			335-465	395-545	455-625	510-710	570-790	630-870	690-950	730-1020

Note: Capacities above based on apparent density 1.6 T/Cu M

## 5 Product size distribution

Size of the Rock (mm)	Opening at "CSS" (mm)									
	75	100	125	150	175	200	225	250	275	300
550										100
500									100	98
450								100	98	95
400						100	100	97	93	89
350						99	96	92	87	82
300					100	94	89	83	77	72
275				100	96	90	84	78	81	65
250				98	92	85	78	71	64	58
225			100	94	87	79	71	63	57	52
200		100	97	89	80	70	62	55	50	46
175		99	91	81	70	60	53	47	43	40
150	100	94	83	75	58	50	44	40	36	33
125	98	85	67	56	47	40	36	31	29	26
100	89	70	53	43	35	30	27	23	21	19
75	70	49	38	30	25	21	19	17	15	13
63	57	40	31	25	20	17	15	13	12	11
50	43	30	23	19	15	13	12	10	9	8
40	33	23	18	14	12	10	9	8	7	6
28	21	15	12	9	8	7	6	5	4.5	4
20	14	10	8	6	5	4.5	4	3.5	3	2.5
13	9	7	5	4	3.5	3	3	2.5	2	1.5
10	6	4.5	3.5	3	2.5	2.5	2	2	1.5	1





Model	Dimensions (mm)							
	A	B	C	D	E	F	G	H
OM 9070	900	700	1740	3270	1850	1071	1452	1995
OM 10080	1000	800	2065	3510	2080	1197	1617	2150
OM 11090	1100	900	2325	3950	1985	1230	1650	2420
OM 12080	1200	800	2065	3510	2080	1397	1817	2350
OM 125100	1250	1000	2580	4390	2205	1365	1835	2690
OM 140120	1400	1200	3100	5265	2645	1640	2200	3225

Note: Above format and information are subject to change without prior notice



**IC International Combustion (India) Limited**

INFINITY BENCHMARK, 11th Floor, Plot-G1, Block-EP & GP, Sector - V, Salt Lake Electronics Complex, Kolkata - 700 091  
 Ph: (033) 3315 3000, Fax : (033) 2357 6653, e-mail: info@internationalcombustion.in, Website: www.internationalcombustion.in