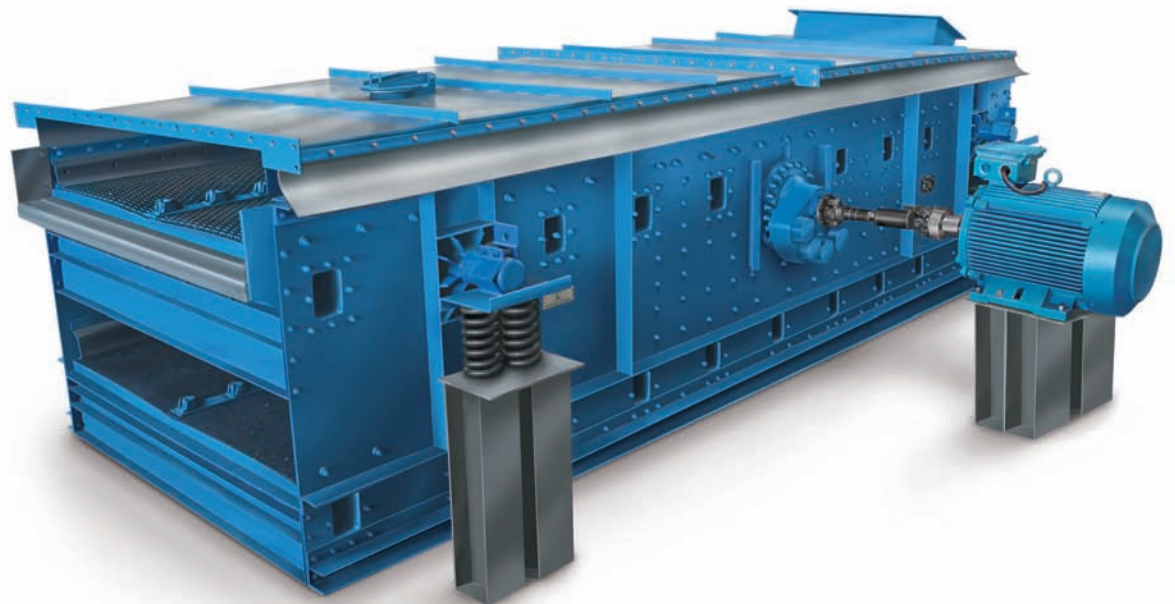




---

**International Combustion (India) Limited**

## **CIRCULAR MOTION VIBRATING SCREENS**

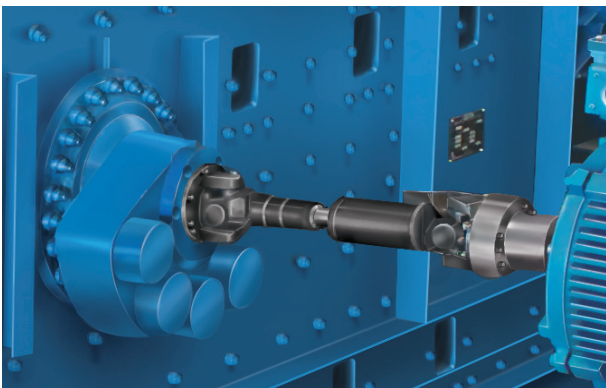


The new generation vibratory screening machines, characterised by low profile, efficient protection of support structure from vibrating masses and virtually noiseless operation.

The various versions of these Vibro Screens permit its use for wet and dry screening, coarse and fine separations and are widely used in steel mills, mineral beneficiation plants, chemical, mining, food and fertilizer industries, coal preparation plants and many others.

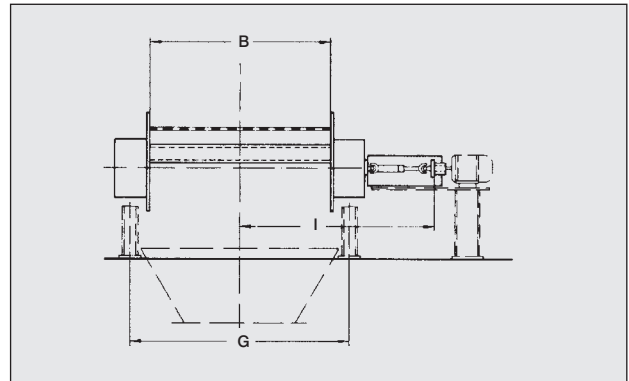
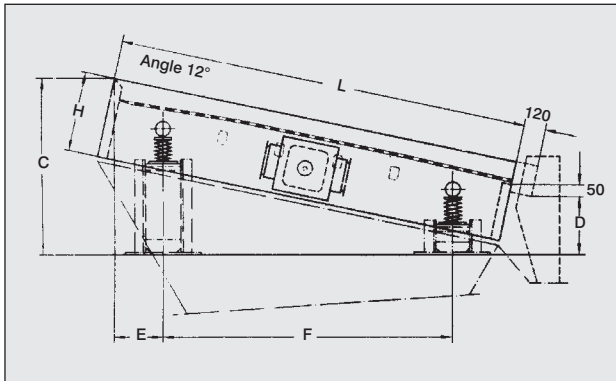
## Performance Highlights

- High availability and operational reliability is the result of a highly developed design and quality standard.
- Reasonably priced and flexible due to the use of standardised components.
- The machine is economically equipped to customer's requirements with screen decks made of spring steel wire, perforated sheet metal, rubber or polyurethane.
- Optimum utilisation of the screening area by a deck arrangement which is adapted to suit the grain size concerned, namely longitudinal, transverse, inserted and laid linings.
- Quick changing of screen mats and of the specially developed removable frames, to allow lengthwise tensioning using simple screw connections.
- Low noise level with grease lubricated circular drive units which run extremely quietly and are of a stable design with low harmonic oscillation.
- Generously dimensioned bearings give long service life.
- Low maintenance costs resulting from a direct drive using a normal commercial motor and a maintenance – free cardan shaft.
- Dust seals are available as an option for all screens.
- Easy, quick installation and removal of worn and replacement parts by the use of screw connections.



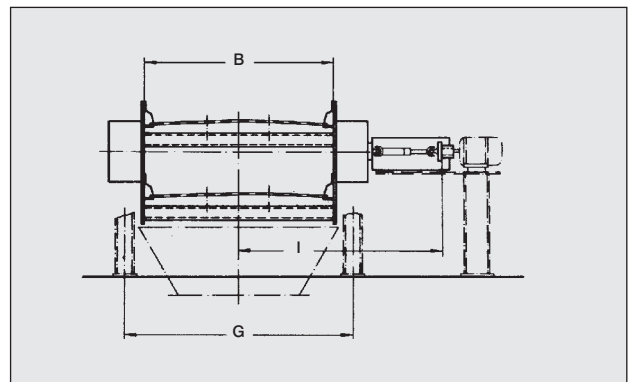
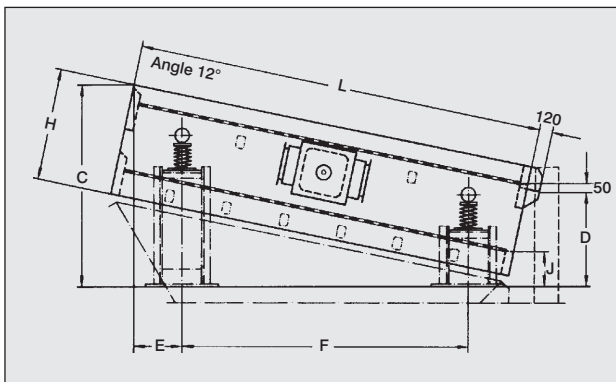
# Type Gr. & Do. Technical Data

## Single-Deck Vibro Screen



Type	Length L	Width B	Exciter Type	Power kW	Speed min <sup>-1</sup>	Weight with spring Sup- port plate kg	C at 12°	D	E	F	G	I	H
Gr. 2.5 - 1000	2500	1000	A 76	4.0	1500	800	1150	450	330	1660	1300	1180	550
Gr. 3 - 1250	3000	1250	A 76	4.0	1500	1000	1300	450	350	2100	1550	1355	600
Gr. 3.5 - 1400	3500	1400	A 76	4.0	1500	1350	1500	480	400	2500	1700	1500	700
Gr. 4 - 1600	4000	1600	A 142	7.5	1500	2150	1750	620	730	2300	2000	1600	850
Gr. 4.5 - 1800	4500	1800	A 142 S	11.0	1000	3000	1800	850	480	3360	2200	1700	1000
Gr. 5 - 2000	5000	2000	A 260	22.0	1000	4400	2300	950	690	3350	2500	1850	1200
Gr. 6 - 2500	6000	2500	A 260	22.0	1000	5400	2600	1050	660	4320	3000	2100	1300

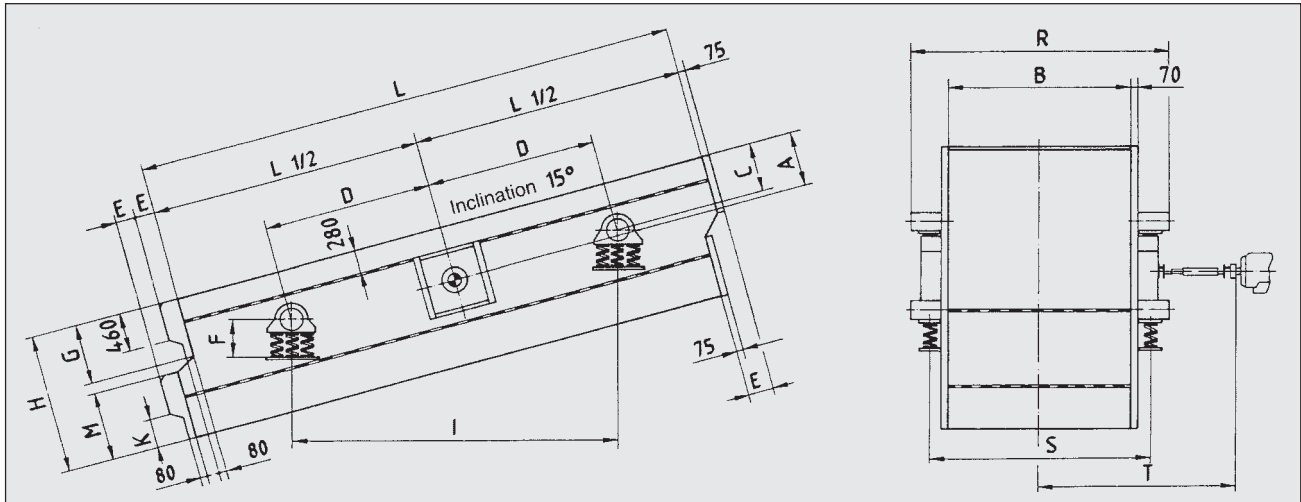
## Double-Deck Vibro Screen



Type	Length L	Width B	Exciter Type	Power kW	Speed min <sup>-1</sup>	Weight with spring Sup- port plate kg	C at 12°	D	E	F	G	I	H	J
Do. 2.5 - 1000	2500	1000	A 76	4.0	1500	820	1350	630	340	1660	1300	1180	800	230
Do. 3 - 1250	3000	1250	A 76	4.0	1500	1350	1500	650	360	2100	1550	1355	830	250
Do. 3.5 - 1400	3500	1400	A 142	7.5	1500	2150	1860	850	400	2500	1700	1500	1100	260
Do. 4 - 1600	4000	1600	A 142	7.5	1500	2850	2060	900	730	2300	2000	1600	1200	280
Do. 4.5 - 1800	4500	1800	A 260	22.0	1000	5100	2500	1200	740	2700	2400	1750	1450	400
Do. 5 - 2000	5000	2000	A 260	22.0	1000	5900	2650	1250	650	3450	2600	1850	1500	400

# Type SK

## Technical Data



Type SD	Effective screen area per screen deck m <sup>2</sup>	Dimensions in mm														Max. ** weight [KG]	Speed [min <sup>-1</sup> ]	Power [KW]	
		B	L	A	C	D	E	F	G	H	I	K	M	R	S				T
13/30-A142.1S	4,15	1300	3460	590	530	1500	230	350	636	1500	2898	240	700	2100	1700	1386	3270	1000	11
13/40-A142.1S	5,35	1300	4460	590	530	2000	230	445	636	1500	3864	240	700	2100	1700	1386	3270	1000	11
13/40-A142.1SK*		1300	4460	590	530	2000	230	445	636	1500	3864	240	700	2100	1700	1386	3910	1000	15
16/40-A142.1SK	6,70	1600	4460	590	530	2000	230	440	636	1500	3864	240	700	2400	2000	1536	3910	1000	15
16/50-A142.1SK	8,20	1600	5460	655	595	1500	230	450	730	1680	2898	357	817	2400	2000	1536	3910	1000	15
16/50-A260.SK		1600	5460	655	595	1500	230	445	730	1680	2898	357	817	2400	2000	1770	7050	1000	30
16/50-A260.V*		1600	5460	655	595	1500	230	445	730	1680	2898	357	817	2400	2000	1770	7810	750	30
19/40-A142.1SK	8,03	1900	4460	590	530	2000	230	450	636	1500	3864	240	700	2700	2300	1686	3910	1000	15
19/40-A260.SK		1900	4460	590	530	2000	230	445	636	1500	3864	240	700	2700	2300	1920	7050	1000	30
19/40-A260.V*		1900	4460	590	530	2000	230	445	636	1500	3864	240	700	2700	2300	1920	7810	750	30
19/50-A260.SK	9,80	1900	5460	655	595	1500	230	445	730	1680	2898	357	817	2700	2300	1920	7050	1000	30
19/50-A260.V*		1900	5460	655	595	1500	230	440	730	1680	2898	357	817	2700	2300	1920	7810	750	30
22/50-A260.SK	11,47	2200	5460	655	595	1500	230	480	730	1680	2898	357	817	3100	2700	2070	7050	1000	30
22/50-A260.V*		2200	5460	655	595	1500	230	480	730	1680	2898	357	817	3100	2700	2070	7810	750	30
19/60-A260.SK	11,63	1900	6460	655	595	2000	230	480	730	1680	3864	357	817	2700	2300	1920	7050	1000	30
19/60-A260.V*		1900	6460	655	595	2000	230	440	730	1680	3864	357	817	2700	2300	1920	7810	750	30
22/60-A260.SK	13,57	2200	6460	655	595	2000	230	480	730	1680	3864	357	817	3100	2700	2070	7050	1000	30
22/60-A260.V*		2200	6460	655	595	2000	230	480	730	1680	3864	357	817	3100	2700	2070	7810	750	30
25/60-A260.SK	15,50	2500	6460	655	595	2000	230	480	730	1680	3864	357	817	3400	3000	2220	7050	1000	30
25/60-A260.V*		2500	6460	655	595	2000	230	480	730	1680	3864	357	817	3400	3000	2220	7810	750	30
22/70-A260.SK	15,67	2200	7460	655	595	2500	230	480	730	1680	4830	357	817	3100	2700	2070	7050	1000	30
22/70-A260.V*		2200	7460	655	595	2500	230	470	730	1680	4830	357	817	3100	2700	2070	7810	750	30
25/70-A260.SK	17,90	2500	7460	655	595	2500	230	475	730	1680	4830	357	817	3400	3000	2220	7050	1000	30
25/70-A142.1SK-2*		2500	7460	655	595	2500	230	475	730	1680	4830	357	817	3400	3000	Upon enquiry			
25/80-A142.1SK-2*	20,30	2500	8460	655	595	3000	230	470	730	1680	5795	357	817	3400	3000	Upon enquiry			
28/70-A260.V-2*	20,14	2800	7460	655	595	2500	230	480	730	1680	4830	357	817	3700	3300	Upon enquiry			
28/80-A260.V-2*	22,84	2800	8460	655	595	3000	230	480	730	1680	5795	357	817	3700	3300	Upon enquiry			

Minimum distance between vibrating and stationary parts 50 mm

\* For particularly heavy screen decks and liners.

\*\*The weight may be less, depending on the design of the screen lining and anti-wear covering.



REGISTERED OFFICE

# International Combustion (India) Limited

INFINITY BENCHMARK, 11th Floor, Plot-G1, Block-EP & GP, Sector – V, Salt Lake Electronics Complex, Kolkata – 700 091

Ph : (033) 3315 3000, Fax : (033) 2357 6653, e-mail : info@internationalcombustion.in, Website : www.internationalcombustion.in